

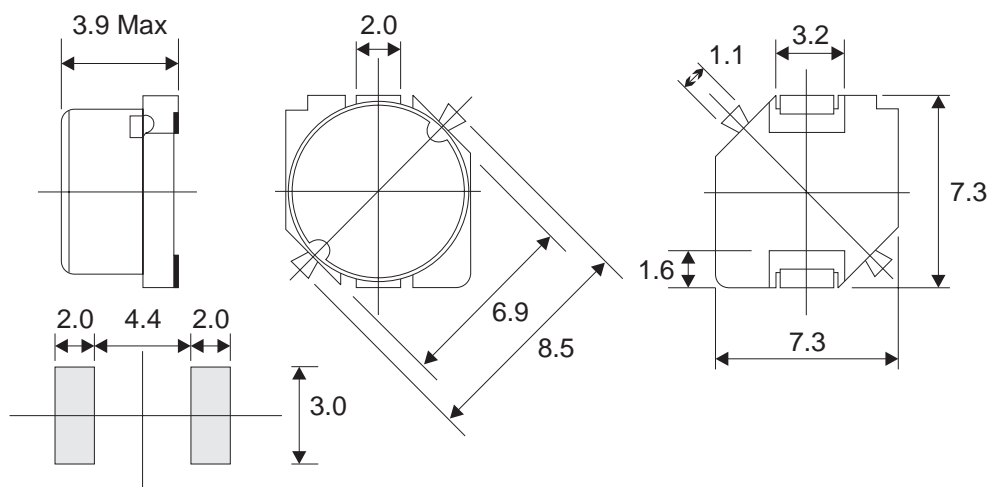


# Surface Mount Inductors

## D350 Series

### Features

- Compact, low profile (7.3mm square, 3.9mm high)
- Suitable for reflow soldering.
- Available on tape and reel for auto insertion.
- Ideal for a variety of DC-DC converter inductor applications.



### Electrical Specifications

UNIT: (m/m)

PART NUMBER	INDUCTANCE L ( $\mu$ H) $\pm 20\%$	L TEST FREQUENCY (KHz)	DC RESISTANCE ( $\Omega$ ) MAX	RATED DC CURRENT (A) MAX
D350-3R3M	3.3	100	0.025	1.92
D350-4R7M	4.7	100	0.033	1.59
D350-6R8M	6.8	100	0.044	1.37
D350-100M	10.0	100	0.055	1.11
D350-150M	15.0	100	0.087	0.92
D350-220M	22.0	100	0.114	0.74
D350-330M	33.0	100	0.170	0.61
D350-470M	47.0	100	0.213	0.50
D350-680M	68.0	100	0.355	0.43
D350-101M	100.0	100	0.447	0.32
D350-151M	150.0	100	0.644	0.28
D350-221M	220.0	100	1.120	0.23
D350-331M	330.0	100	1.440	0.20
D350-471M	470.0	100	2.370	0.16

\*Maximum allowable current is DC current which causes 10% inductance reduction of the initial value, or coil temperature to rise by 40°C, whichever is smaller. (Reference ambient temperature 20°C)