

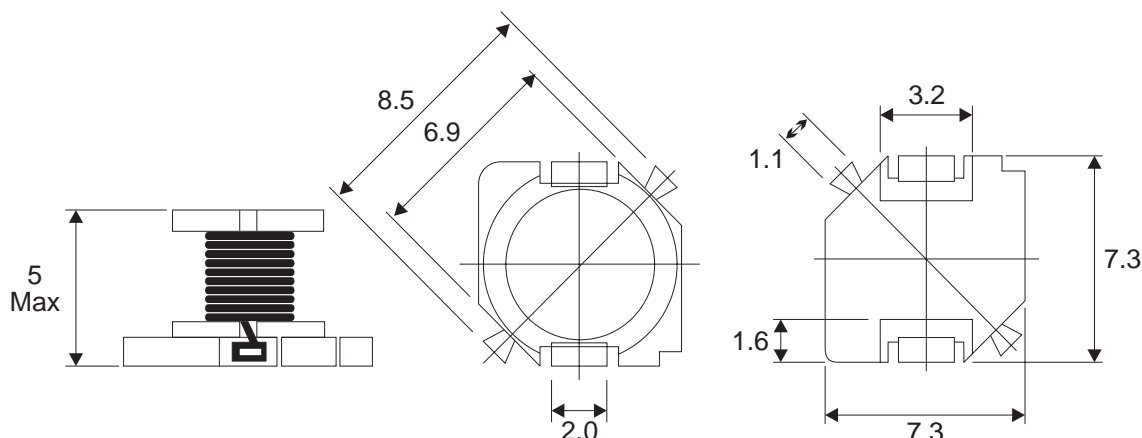


Surface Mount Inductors

D355 Series

Features

- Compact, low profile (7.3mm square, 5mm high)
- Suitable for reflow soldering.
- Available on tape and reel for automatic insertion.
- Ideal for a variety of DC-DC converter inductor applications.



Electrical Specifications

UNIT: (m/m)

PART NUMBER	INDUCTANCE L (μH) ±20%	L TEST FREQUENCY (KHz)	DC RESISTANCE (Ω) MAX	RATED DC CURRENT (A) MAX
D355-100K	10	100	0.104	1.50
D355-120K	12	100	0.116	1.44
D355-150K	15	100	0.133	1.36
D355-180K	18	100	0.146	1.30
D355-220K	22	100	0.167	1.23
D355-270K	27	100	0.188	1.11
D355-330K	33	100	0.218	1.00
D355-390K	39	100	0.244	0.93
D355-470K	47	100	0.384	0.85
D355-560K	56	100	0.403	0.75
D355-680K	68	100	0.452	0.70
D355-820K	82	100	0.510	0.65
D355-101K	100	100	0.904	0.52
D355-121K	120	100	0.940	0.50
D355-151K	150	100	1.080	0.45
D355-181K	180	100	1.229	0.40
D355-221K	220	100	1.383	0.38
D355-271K	270	100	1.563	0.35
D355-331K	330	100	2.438	0.30
D355-391K	390	100	2.693	0.28
D355-471K	470	100	3.056	0.26
D355-561K	560	100	3.441	0.24
D355-681K	680	100	3.938	0.21
D355-821K	820	100	4.785	0.19
D355-102K	1000	100	5.650	0.17

*Maximum allowable current is DC current which causes 10% inductance reduction of the initial value, or coil temperature to rise by 40°C, whichever is smaller. (Reference ambient temperature 20°C)