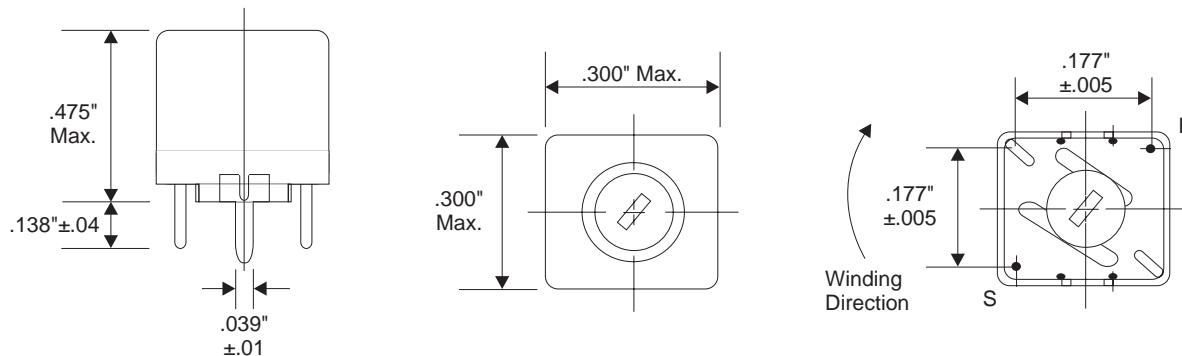




Variable Shielded Inductors

VL01 and VL02 Series



Wire: AWG #24 TCW
 Core: 6-32 (.129 x 32 TPI) Captive Slot
 Testing:

1. Inductance and Q measured on Q meter HP4342A. Attach 1/2" AWG #16 TCW soldered along full length of the coil leads. Then bend 1/4" down from bottom of stand of f at an angle of 90°.
2. Inductance min. is measured with core flush to top of form.
3. All inductance values greater than 0.1μH read at recommended Q meter frequency.

VL01 Series

Part Number	Ind. [Min] [μH]	Ind. [Nom] [μH]	Ind. [Max] [μH]	Min. Q @ Ind. [Nom]	Color
VL01-02	.038	.039	.0395	65 @ 50 MHz	Brown
VL01-04	.051	.054	.056	70 @ 50 MHz	Red
VL01-06	.071	.076	.081	77 @ 50 MHz	Orange
VL01-08	.086	.095	.104	80 @ 50 MHz	Yellow
VL01-10	.107	.115	.123	78 @ 50 MHz	Green
VL01-12	.125	.134	.143	80 @ 50 MHz	Blue
VL01-14	.150	.156	.162	80 @ 50 MHz	Violet

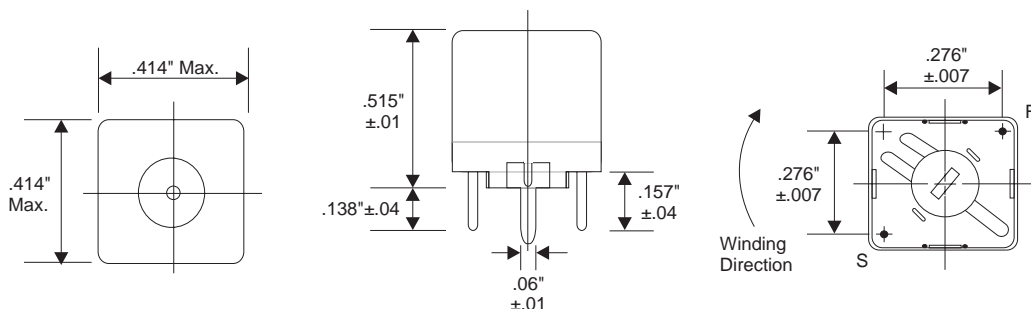
VL02 Series

Part Number	Ind. [Min] [μH]	Ind. [Nom] [μH]	Ind. [Max] [μH]	Min. Q @ Ind. [Nom]	Color
VL02-02	.037	.038	.039	76 @ 50 MHz	Brown
VL02-04	.054	.058	.063	78 @ 50 MHz	Red
VL02-06	.080	.085	.090	78 @ 50 MHz	Orange
VL02-08	.100	.110	.120	78 @ 50 MHz	Yellow
VL02-10	.120	.135	.150	76 @ 50 MHz	Green
VL02-12	.142	.163	.184	72 @ 50 MHz	Blue
VL02-14	.172	.194	.216	68 @ 50 MHz	Violet
VL02-16	.200	.224	.248	66 @ 50 MHz	Gray
VL02-18	.234	.260	.284	60 @ 50 MHz	White
VL02-20	.260	.288	.315	56 @ 50 MHz	Black



Variable Shielded Inductors

VL03, VL04, and VL05 Series



Wire: AWG #22 Single Polyurethane
 Core: 10-32 (180 x 32 TPI) Hex Hole
 Testing:

1. Q & L readings taken on HP 4342A Q meter with 1/2" long of AWG #16 TCW soldered along the coil leads and with one end flush with the bottom of the coil. Then bent 1/4" down from stand off at an angle of 90°.
2. L min measured with core halfway out top of form.
3. All L values greater than 0.1µH read at recommended Q meter frequency.
4. All L values below 0.1µH calculated from readings taken at 50 MHz.

VL03, VL04, VL05 Series

Part Number	Ind. [Min] [µH]	Ind. [Nom] [µH]	Ind. [Max] [µH]	Min. Q @ Ind. [Nom]	Color
VL03-02	.042	.044	.045	-----	Brown
VL03-04	.064	.070	.074	-----	Red
VL03-06	.115	.117	.120	-----	Orange
VL03-08	.147	.156	.160	88 @ 40 MHz	Yellow
VL03-10	.182	.197	.205	86 @ 40 MHz	Green
VL03-12	.220	.240	.248	85 @ 40 MHz	Blue
VL03-14	.259	.280	.290	80 @ 40 MHz	Violet
VL03-16	.299	.322	.337	77 @ 40 MHz	Gray
VL03-18	.338	.363	.377	80 @ 40 MHz	White
VL03-20	.382	.410	.422	82 @ 40 MHz	Black
VL04-02	.043	.045	.047	-----	Brown
VL04-04	.070	.074	.078	-----	Red
VL04-06	.092	.099	.106	-----	Orange
VL04-08	.111	.122	.133	-----	Yellow
VL04-10	.132	.149	.165	-----	Green
VL04-12	.154	.175	.196	105 @ 40 MHz	Blue
VL04-14	.176	.200	.223	104 @ 40 MHz	Violet
VL04-16	.202	.226	.250	97 @ 40 MHz	Gray
VL04-18	.239	.256	.274	104 @ 40 MHz	White
VL04-20	.270	.282	.295	93 @ 40 MHz	Black
VL05-02	.315	.369	.423	80 @ 40 MHz	White
VL05-04	.355	.416	.477	82 @ 40 MHz	Black
VL05-06	.396	.468	.540	78 @ 40 MHz	Brown
VL05-08	.433	.509	.585	80 @ 40 MHz	Red
VL05-10	.475	.556	.637	80 @ 40 MHz	Orange
VL05-12	.515	.604	.693	78 @ 40 MHz	Yellow
VL05-14	.583	.660	.738	80 @ 40 MHz	Green
VL05-16	.638	.720	.801	76 @ 40 MHz	Blue
VL05-18	.693	.770	.846	76 @ 40 MHz	Violet
VL05-20	.754	.814	.874	82 @ 40 MHz	Gray
VL05-22	.792	.846	.900	80 @ 40 MHz	White
VL05-24	.847	.896	.945	74 @ 40 MHz	Black