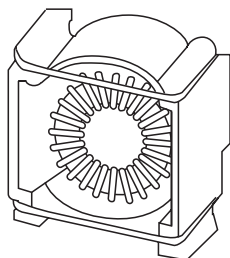




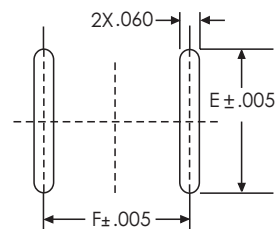
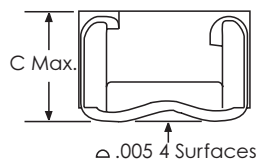
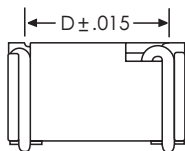
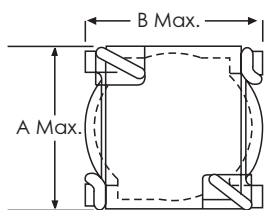
Surface Mount Toroids

T210 Series



GENERAL CHARACTERISTICS

- Suited for IR and vapor reflow solder process
- Rated up to 130° Celsius
- Standard packaging in tubes, optional packaging in plastic trays or tape-and-reel
- Custom designs available upon request



ELECTRICAL SPECIFICATIONS

Part Number	L @ 0 Adc μ H (tolerance $\pm 20\%$)	Idc AMPS (Estimated rise of 55°C for conditions shown)	LW/Idc uH (Estimated rise of 55°C for conditions shown)	DC Resistance Ohms Maximum(Ω)	Version
T210-01	7.00	1.4	6.2	0.070	1
T210-02	22.70	1.0	17.6	0.125	1
T210-03	35.30	1.4	29.7	0.166	2
T210-04	73.00	1.3	58.1	0.290	3
T210-05	167.00	0.9	114.0	0.380	2
T210-06	292.00	0.9	192.0	0.560	3
T210-07	672.00	0.7	383.0	0.862	3
T210-08	1134.00	0.7	645.0	1.250	4
T210-09	1950.00	0.7	1070.0	1.700	5
T210-10	1.10	3.4	1.0	0.011	1
T210-11	12.30	2.8	9.4	0.043	2
T210-12	21.90	2.7	16.2	0.063	3
T210-13	40.50	2.7	29.1	0.085	4
T210-14	72.90	2.6	50.0	0.133	5
T210-15	5.20	4.8	3.8	0.017	2
T210-16	7.50	5.4	5.1	0.018	3
T210-17	14.00	5.5	9.0	0.022	4
T210-18	25.90	5.1	16.1	0.032	5
T210-19	3.80	8.0	2.5	0.008	3
T210-20	7.90	7.8	4.9	0.012	4
T210-21	16.00	7.2	9.3	0.019	5

MECHANICAL DATA

VERSION	A max (INCHES)	B max (INCHES)	C max (INCHES)	D (INCHES)	E (INCHES)	F (INCHES)
1	0.340	0.340	0.270	0.260	0.300	0.270
2	0.435	0.440	0.360	0.350	0.400	0.360
3	0.560	0.565	0.360	0.450	0.520	0.460
4	0.590	0.615	0.390	0.500	0.550	0.510
5	0.670	0.700	0.390	0.580	0.620	0.590

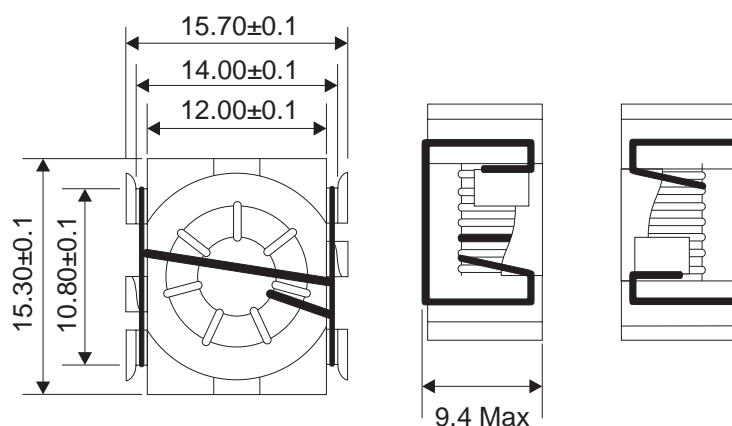


Surface Mount Inductors

T220 Series

Features

- Surface Mount
- Low profile (9.4mm high).
- High reliability.
- Suitable for reflow soldering.
- Available on tape and reel for automatic insertion.



Electrical Specifications

PART NUMBER	INDUCTANCE L (μH) ±20%	DC RESISTANCE (Ω) MAX	10% DROP DC (AMPS)	20% DROP DC (AMPS)	30% DROP DC (AMPS)
T220-1R0M	1.00	3.89	4.80	7.50	10.00
T220-1R5M	1.50	14.40	4.50	7.00	9.00
T220-2R2M	2.20	15.15	3.50	5.50	7.50
T220-3R3M	3.30	19.37	2.90	4.20	5.50
T220-4R7M	4.70	14.40	2.30	3.70	4.80
T220-6R8M	6.80	15.61	1.90	2.90	4.00
T220-8R2M	8.20	20.00	1.90	2.90	3.80
T220-100M	10.00	30.08	1.70	2.50	3.30
T220-150M	15.00	42.26	1.40	2.00	2.60
T220-220M	22.00	52.90	1.20	1.70	2.20
T220-330M	33.00	95.12	1.00	13.0	1.80
T220-470M	47.00	112.25	0.80	1.10	1.50
T220-680M	68.00	180.00	0.60	0.95	1.30
T220-101M	100.00	225.83	0.50	0.75	1.00

*Rated for an operating temperature range of -30°C to 130°C (ambient temperature plus the temperature rise of the inductor) with a linear inductance variation.