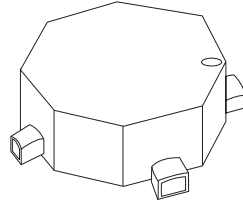




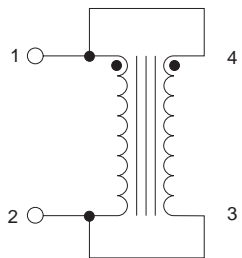
# SMT Power Inductor/Transformers

## T410 Series

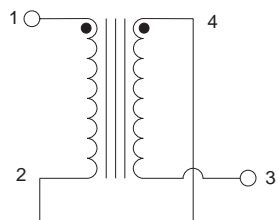
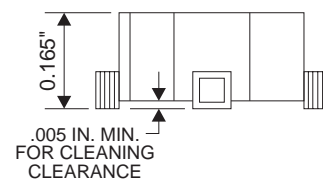


### General Specifications

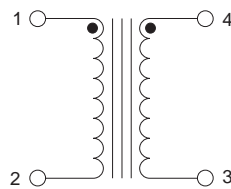
SIZE 1	PARALLEL				SERIES			
PART NUMBER	OPEN CIRCUIT INDUCTANCE $\mu\text{H}\pm 20\%$	FULL LOAD INDUCTANCE $\mu\text{H MIN}$	FULL LOAD CURRENT Adc	DC RESISTANCE Ohms MAX	OPEN CIRCUIT INDUCTANCE $\mu\text{H}\pm 20\%$	FULL LOAD INDUCTANCE $\mu\text{H MIN}$	FULL LOAD CURRENT Adc	DC RESISTANCE Ohms MAX
T4105-1	4.81	2.66	2.30	0.031	19.83	10.64	1.15	0.122
T4108-1	7.86	4.08	2.00	0.040	32.01	16.34	1.00	0.158
T41010-1	9.85	4.85	1.90	0.044	40.60	19.40	0.95	0.176
T41015-1	14.35	8.74	1.10	0.080	57.64	34.96	0.55	0.319
T41020-1	20.28	11.54	1.00	0.146	83.90	46.15	0.50	0.584
T41025-1	24.28	16.35	0.74	0.167	100.21	65.42	0.37	0.667
T41033-1	33.69	19.84	0.72	0.293	131.90	79.37	0.36	1.171
T41050-1	49.72	29.34	0.64	0.366	203.00	117.38	0.32	1.462
T41068-1	67.40	39.73	0.54	0.517	276.50	158.92	0.27	2.065
T41082-1	82.40	48.52	0.46	0.690	331.00	196.42	0.23	2.762
T410100-1	100.26	58.72	0.44	0.785	406.20	234.88	0.22	3.137
T410150-1	150.80	85.16	0.38	0.966	607.50	340.64	0.19	3.862
T410200-1	202.40	107.60	0.37	1.142	817.15	430.39	0.19	4.567



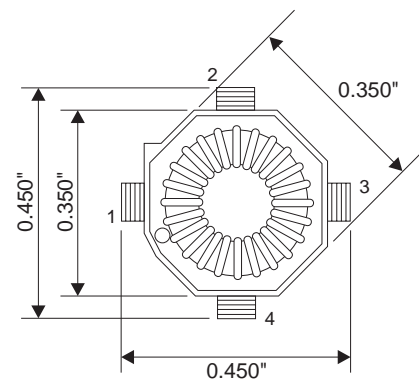
PARALLEL



SERIES



TRANSFORMER



BOTTOM VIEW