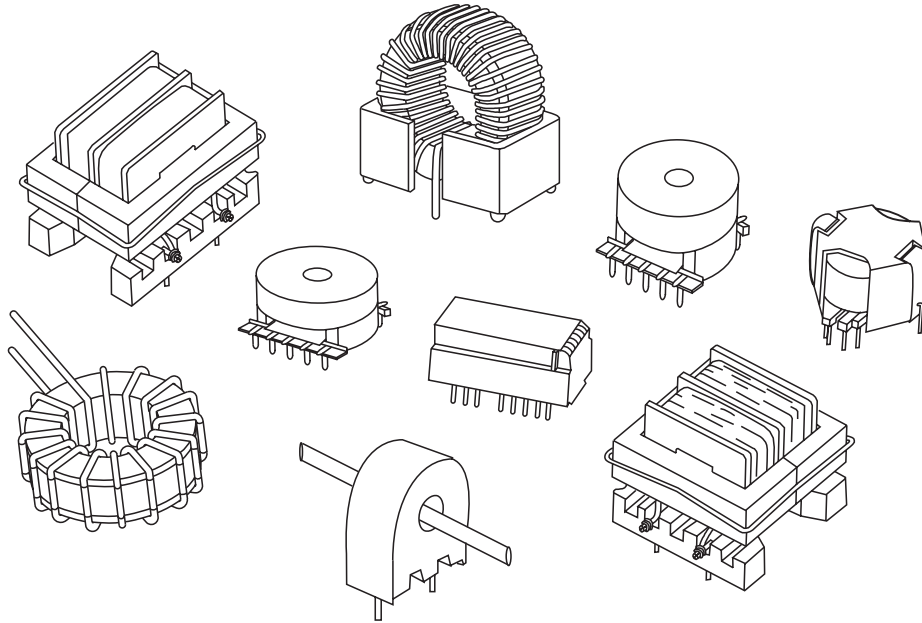




# Custom Capabilities

---



## ***CUSTOM MAGNETIC PRODUCTS***

*If you need something other than standard products, TSC has the capabilities to design and build to your requirements:*

Styles: Toroidal, E Core, RM Core, Pot Core, Laminated, Air Core, Slug Core...

Types: EMI Filter Beads, Power Inductors, Coupling Transformers, Pulse Transformers, Hybrid Transformers, Switching Magnetics, High Voltage Transformers, Converter Transformers...

Packaging: Surfacemount, Low Profile, PC Mount, Leadset, Flying Leads...

Please contact us and let us serve your Magnetic needs.

Tel: (310) 534-2738  
Fax: (310) 534-3216  
email: [engineering@tscgroup.com](mailto:engineering@tscgroup.com).